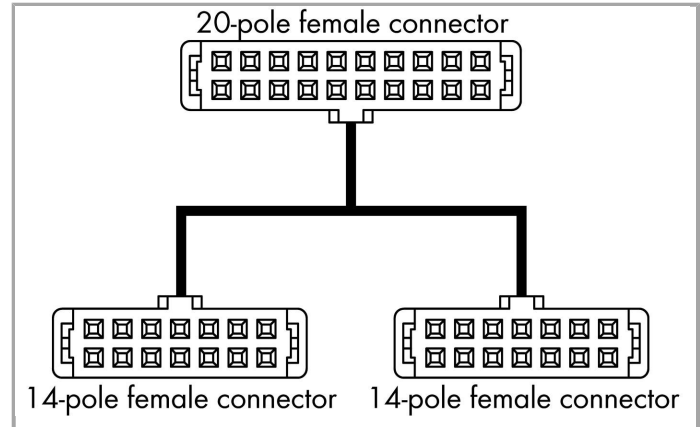
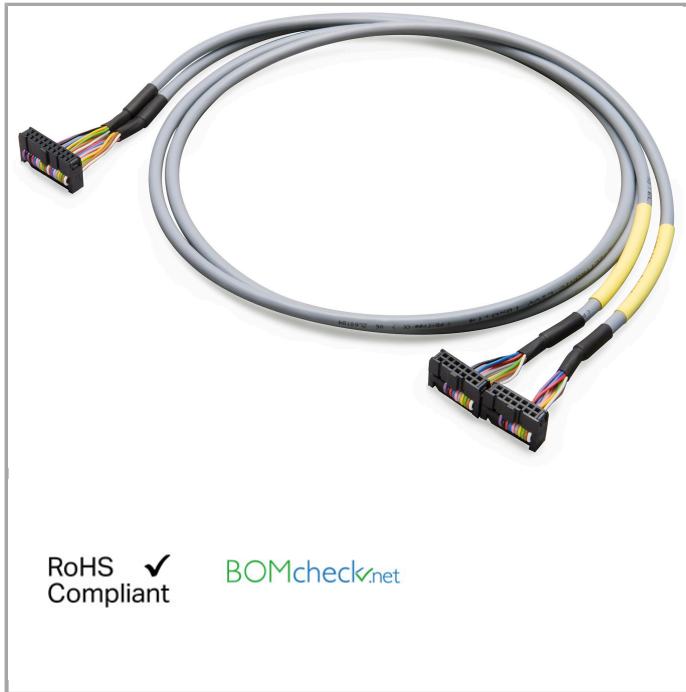


## Data sheet | Item number: 706-7753/304-100

System cable; for WAGO-I/O-SYSTEM, 750 Series; 2 x 8 analog inputs or outputs; Length: 1 m (1 MOhm); Conductor cross-section: 0.14 mm<sup>2</sup>



[www.wago.com/706-7753\\_304-100](http://www.wago.com/706-7753_304-100)



RoHS  Compliant

BOMcheck.net

### Item description

WAGO's Interface Cables provide fast and easy connection of WAGO I/O Modules equipped with pluggable connectors. The following WAGO I/O modules and adapters are compatible:

750-1500 (16 DO) --> 857-981 (DO)

750-1502 (8 DO / 8 DI) --> 857-981 (DO) and 857-982 (DI)

The cables are available in 1-, 2- and 3-meter lengths; each has one 20-pole or two 14-pole pluggable connectors at both ends. Suitable for system wiring when paired with WAGO's Interface Adapter (Item No. 857-981 and 857-982)

### Data

#### Technical Data

#### General specifications

Max. current per channel	1 A
--------------------------	-----

#### Safety and protection:

Degree of protection	IP20
----------------------	------

## Connection data

Ports	1 x 20-pole pluggable connector per DIN 41651 2 x 14-pole pluggable connector per DIN 41651
Color coding	per DIN VDE 47100
Wire cross-section	0.14 mm <sup>2</sup> LiYY

## Geometrical Data

Cable length	1 m
--------------	-----

## Material Data

Weight	97 g
--------	------

## Environmental Requirements

Surrounding air (operating) temperature	-25 ... 70 °C
---	---------------

## Commercial data

Country of origin	FR
GTIN	4050821034209
Product Group	30 ()

## Compatible products

### transfer module



Item no.: 857-981  
Interface adapter; 14-pole; High-side switching input

[www.wago.com/857-981](http://www.wago.com/857-981)



Item no.: 857-982  
Interface adapter; 14-pole; High-side switching output

[www.wago.com/857-982](http://www.wago.com/857-982)

## Downloads

### Documentation

#### Bid Text

706-7753/304-100 WAGO-Interface-Kabel	Jan 22, 2016	DOC 27.1 kB	Download
--	--------------	----------------	----------

### Additional Information

Disposal; Electrical and electronic equipment, Packaging	Oct 15, 2018	265.8 kB	Download
--	--------------	----------	----------



Subject to changes.

---

WAGO Corporation  
Germantown, WI 53022  
32423 Minden  
Phone: +49571 887-0 | Fax: (262) 255-6222  
Email: [info.us@wago.com](mailto:info.us@wago.com) | Web: [www.wago.com](http://www.wago.com)

Do you have any questions about our products?  
We are always happy to take your call at {0}.