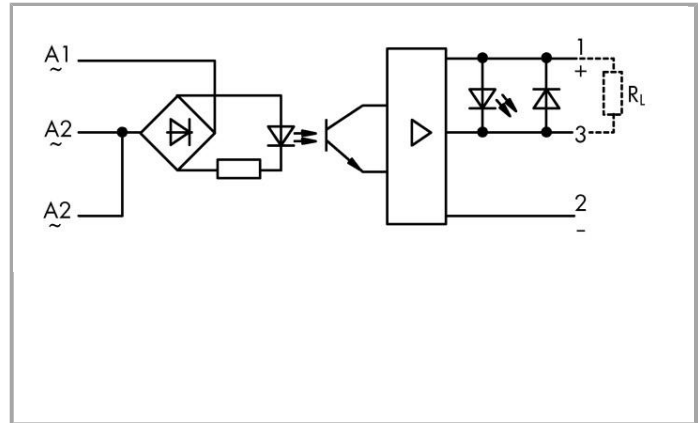




**Data sheet | Item number: 286-725**

Optocoupler module; Input AC/DC 10 V ... 30 V; Output DC 24 V/ 1 mA ... 0.5 A; negative switching

[www.wago.com/286-725](http://www.wago.com/286-725)



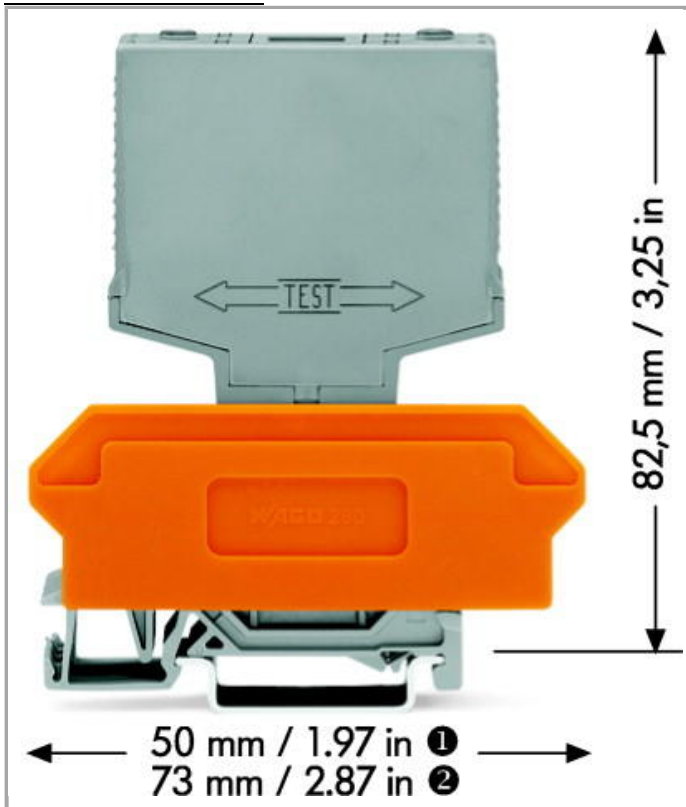
BOMcheck.net

Color: ■



**Data sheet | Item number: 286-725**

[www.wago.com/286-725](http://www.wago.com/286-725)



**Data**

**Technical Data**

**Control circuit**

Nominal input voltage $U_N$	10 ... 30 V AC/DC
Input voltage range (high level)	10 ... 30 V AC/DC

**Load circuit:**

Circuit type	Low-side switching
Limiting continuous current	0.5 A
Output voltage range	20 ... 30 VDC
Max. voltage drop at output	$\leq 1$ VDC
Leakage current at nominal voltage	$\leq 2.5 \mu\text{A}$
Turn-on time	$\leq 5 \mu\text{s}$
Drop-out time	$\leq 10$ ms

**Safety and protection:**

Pollution degree	3
Dielectric strength, control/load circuit (AC, 1 min)	$2.5 \text{ kV}_{\text{rms}}$
Dielectric strength, control/load circuit (AC, 1 min)	

This item has been discontinued and as of 27.08.2013, can no longer be delivered.



## Data sheet | Item number: 286-725

[www.wago.com/286-725](http://www.wago.com/286-725)

2.5 kV<sub>rms</sub>

Degree of protection	IP20
----------------------	------

### Geometrical Data

Width	15 mm / 0.591 inch
Height from upper-edge of DIN-35 rail	82.5 mm / 3.25 inch
Depth	52 mm / 1.654 inch

### Mechanical data

Type of mounting	Pluggable module for carrier terminal blocks
------------------	--

### Material Data

Color	gray
Weight	30.361 g

### Environmental Requirements


Surrounding air (storage) temperature	-40 ... 70 °C
Pollution degree	3

### Commercial data

Country of origin	DE
GTIN	4017332157759
Product Group	6 (Interface Electronics)

### Compatible products

#### Marking accessories

	<b>Item no.: 209-701</b> WSB marking card; as card; not stretchable; plain; snap-on type	<a href="http://www.wago.com/209-701">www.wago.com/209-701</a>
	<b>Item no.: 209-701/000-002</b> WSB marking card; as card; not stretchable; plain; snap-on type	<a href="http://www.wago.com/209-701/000-002">www.wago.com/209-701/000-002</a>
	<b>Item no.: 209-701/000-005</b> WSB marking card; as card; not stretchable; plain; snap-on type	<a href="http://www.wago.com/209-701/000-005">www.wago.com/209-701/000-005</a>
	<b>Item no.: 209-701/000-006</b> WSB marking card; as card; not stretchable; plain; snap-on type	<a href="http://www.wago.com/209-701/000-006">www.wago.com/209-701/000-006</a>
	<b>Item no.: 209-701/000-007</b> WSB marking card; as card; not stretchable; plain; snap-on type	<a href="http://www.wago.com/209-701/000-007">www.wago.com/209-701/000-007</a>

This item has been discontinued and as of 27.08.2013, can no longer be delivered.



## Data sheet | Item number: 286-725

[www.wago.com/286-725](http://www.wago.com/286-725)



**Item no.: 209-701/000-012**  
WSB marking card; as card; not stretchable; plain; snap-on type

[www.wago.com/209-701/000-012](http://www.wago.com/209-701/000-012)



**Item no.: 209-701/000-017**  
WSB marking card; as card; not stretchable; plain; snap-on type

[www.wago.com/209-701/000-017](http://www.wago.com/209-701/000-017)



**Item no.: 209-701/000-023**  
WSB marking card; as card; not stretchable; plain; snap-on type

[www.wago.com/209-701/000-023](http://www.wago.com/209-701/000-023)



**Item no.: 209-701/000-024**  
WSB marking card; as card; not stretchable; plain; snap-on type

[www.wago.com/209-701/000-024](http://www.wago.com/209-701/000-024)

## Downloads

### Documentation

#### Additional Information

Disposal; Electrical and electronic equipment, Packaging

Oct 15, 2018

265.8 kB

[Download](#)

Subject to changes.

WAGO Corporation  
Germantown, WI 53022  
32423 Minden  
Phone: +49571 887-0 | Fax: (262) 255-6222  
Email: [info.us@wago.com](mailto:info.us@wago.com) | Web: [www.wago.com](http://www.wago.com)

Do you have any questions about our products?  
We are always happy to take your call at {0}.