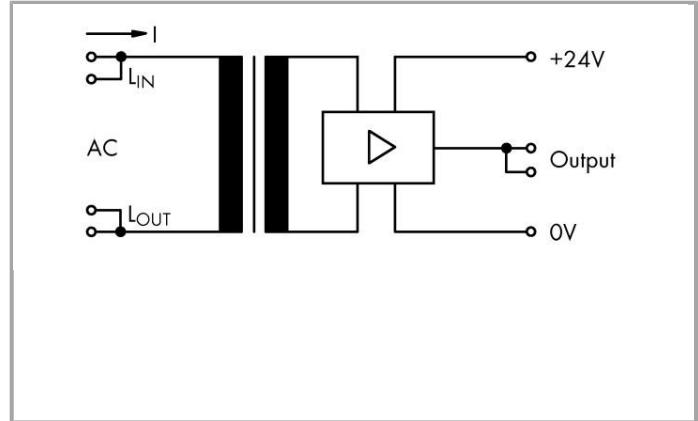


Data sheet | Item number: 286-661

Current flow monitoring module; AC current flow monitoring module; 80 mA  
... 6 A

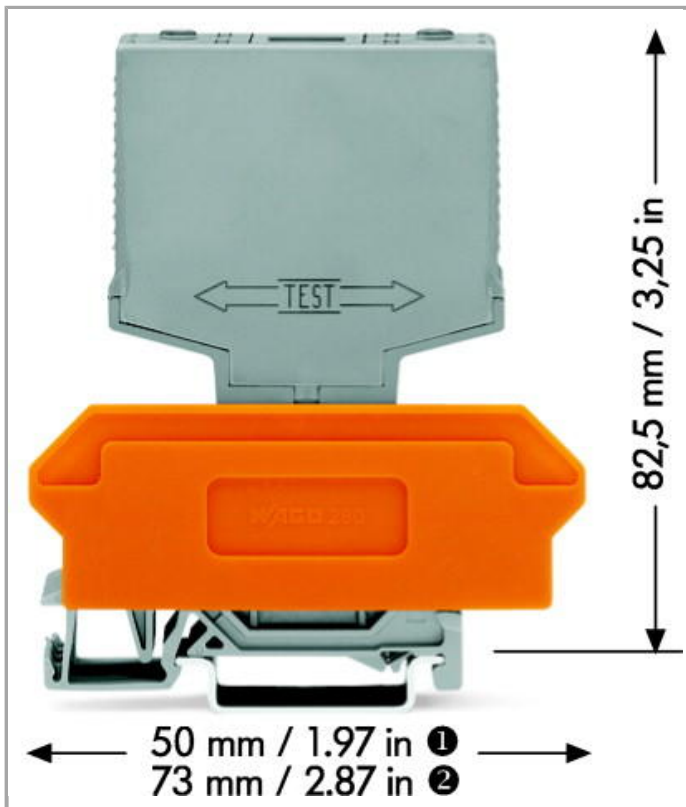


[www.wago.com/286-661](http://www.wago.com/286-661)



BOMcheck.net

Color: ■



## Data

## Technical Data

## General specifications

Operating voltage	5 ... 250 VAC
Limiting continuous current	0.05 A
Power consumption at $U_N$	41 mA
Max. measuring span	80 mA ... 6 A AC Current < 80 mA Output 24 V DC Current > 80 mA Output 0 V
Switching voltage (max.) DC	24 V
Switching power	1.2 W
Voltage drop at input	13 ... 460 mV
Response time	40ms
Indicators	Operation: LED = green output LOW, current interruption: LED = red output HIGH

## Safety and protection:

Pollution degree	2
Dielectric strength input / output	2 kV
Rated voltage	250 V
Rated impulse voltage	4 kV

## Mechanical data

Type of mounting	Pluggable module for carrier terminal blocks
------------------	--

## Material Data

Color	light gray
Fire load	4.187 MJ
Weight	46.6 g

## Environmental Requirements

Surrounding air (operating) temperature	-25 ... 40 °C
Pollution degree	2

## Commercial data

Country of origin	DE
GTIN	4017332157476
Product Group	6 (Interface Electronics)

## Compatible products

### Marking accessories



**Item no.: 209-701**  
WSB marking card; as card; not stretchable; plain; snap-on type

[www.wago.com/209-701](http://www.wago.com/209-701)



**Item no.: 209-701/000-002**  
WSB marking card; as card; not stretchable; plain; snap-on type

[www.wago.com/209-701/000-002](http://www.wago.com/209-701/000-002)



**Item no.: 209-701/000-005**  
WSB marking card; as card; not stretchable; plain; snap-on type

[www.wago.com/209-701/000-005](http://www.wago.com/209-701/000-005)



**Item no.: 209-701/000-006**  
WSB marking card; as card; not stretchable; plain; snap-on type

[www.wago.com/209-701/000-006](http://www.wago.com/209-701/000-006)



**Item no.: 209-701/000-007**  
WSB marking card; as card; not stretchable; plain; snap-on type

[www.wago.com/209-701/000-007](http://www.wago.com/209-701/000-007)



**Item no.: 209-701/000-012**  
WSB marking card; as card; not stretchable; plain; snap-on type

[www.wago.com/209-701/000-012](http://www.wago.com/209-701/000-012)



**Item no.: 209-701/000-017**  
WSB marking card; as card; not stretchable; plain; snap-on type

[www.wago.com/209-701/000-017](http://www.wago.com/209-701/000-017)



Item no.: 209-701/000-023

WSB marking card; as card; not stretchable; plain; snap-on type

[www.wago.com/209-701/000-023](http://www.wago.com/209-701/000-023)



Item no.: 209-701/000-024

WSB marking card; as card; not stretchable; plain; snap-on type

[www.wago.com/209-701/000-024](http://www.wago.com/209-701/000-024)

## Downloads

### Documentation

#### Bid Text

286-661	Jan 15, 2016	DOC	Download
Interface-Bausteine mit Sonderfunktionen		25.1 kB	

#### Additional Information

Disposal; Electrical and electronic equipment, Packaging	Oct 15, 2018		Download
		265.8 kB	

Subject to changes.

WAGO Corporation  
Germantown, WI 53022  
32423 Minden  
Phone: +49571 887-0 | Fax: (262) 255-6222  
Email: [info.us@wago.com](mailto:info.us@wago.com) | Web: [www.wago.com](http://www.wago.com)

Do you have any questions about our products?  
We are always happy to take your call at {0}.