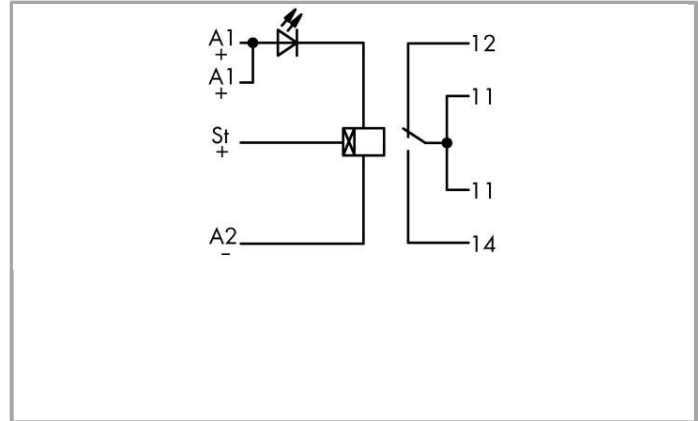


Data sheet | Item number: 286-640

Timer relay module; Nominal input voltage: 24 VDC; Limiting continuous current: 6 A; Path; Multifunction/Multitime; Yellow status indicator; Module width: 6 mm



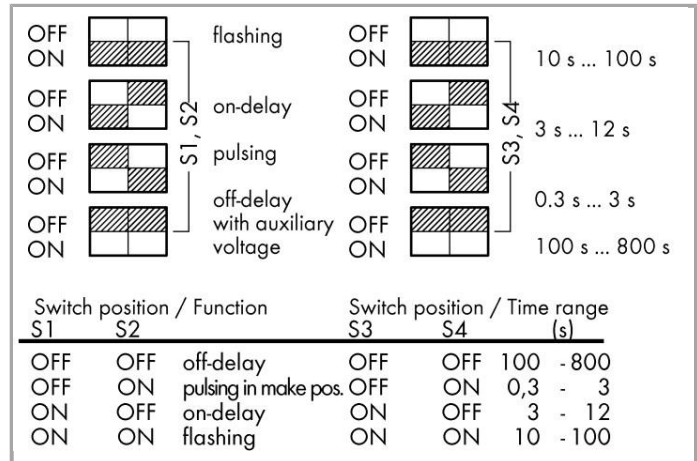
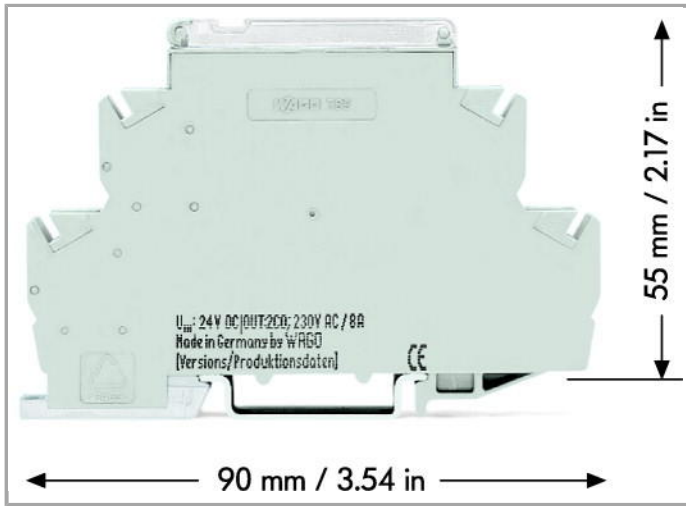
[www.wago.com/286-640](http://www.wago.com/286-640)



RoHS  Compliant

[BOMcheck.net](https://www.bomcheck.net)

Color: ■



### Item description

Fine adjustment of time within these time ranges can be made with the trimming potentiometer.

St+ will only be connected for the function „off-delay“ with auxiliary voltage.

### Data

#### Technical Data

#### Control circuit

Nominal input voltage $U_N$	24 VDC
Nominal input current at $U_N$	24 mA
Time range	0.3s ... 3 s; 3s ... 12 s; 10s ... 100 s; 100s ... 800 s
Reset time	100 ms
Repeat accuracy	1 %

#### Load circuit:

Number of changeover/switchover contacts	1
Contact material	AgNi + Au
Limiting continuous current	5 A
Max. make current (resistive)	4 s 10 A (AC)
Max. switching voltage	250 VAC
Max. switching power (resistive)	1250 VAAC
Bounce time (typ)	2 ms
Electrical life (N.O.; resistive load; 23 °C)	100 x 10 <sup>3</sup> switching operations
Mechanical life (N.O.; resistive load; 23 °C)	15 x 10 <sup>6</sup> switching operations

### Safety and protection:

Rated voltage	250 V
Rated impulse voltage	4 kV
Pollution degree	2
Dielectric strength, control/load circuit (AC, 1 min)	3 kV <sub>rms</sub>
Dielectric strength, control/load circuit (AC, 1 min)	3 kV <sub>rms</sub>
Degree of protection	IP20

### Geometrical Data

Width	20 mm / 0.787 inch
Height from upper-edge of DIN-35 rail	82.5 mm / 3.25 inch
Depth	52 mm / 1.654 inch

### Mechanical data

Type of mounting	Pluggable module for carrier terminal blocks
------------------	--

### Material Data

Color	gray
Fire load	0.991 MJ
Weight	34.498 g

### Environmental Requirements

Pollution degree	2
------------------	---

### Standards and specifications

Standards/specifications	EN 60664-1
--------------------------	------------

### Commercial data

Country of origin	DE
GTIN	4050821806349
Product Group	6 (Interface Electronics)

### Compatible products

#### Marking accessories



Item no.: 209-701

WSB marking card; as card; not stretchable; plain; snap-on type

[www.wago.com/209-701](http://www.wago.com/209-701)



**Item no.: 209-701/000-002**  
WSB marking card; as card; not stretchable; plain; snap-on type

[www.wago.com/209-701/000-002](http://www.wago.com/209-701/000-002)



**Item no.: 209-701/000-005**  
WSB marking card; as card; not stretchable; plain; snap-on type

[www.wago.com/209-701/000-005](http://www.wago.com/209-701/000-005)



**Item no.: 209-701/000-006**  
WSB marking card; as card; not stretchable; plain; snap-on type

[www.wago.com/209-701/000-006](http://www.wago.com/209-701/000-006)



**Item no.: 209-701/000-007**  
WSB marking card; as card; not stretchable; plain; snap-on type

[www.wago.com/209-701/000-007](http://www.wago.com/209-701/000-007)



**Item no.: 209-701/000-012**  
WSB marking card; as card; not stretchable; plain; snap-on type

[www.wago.com/209-701/000-012](http://www.wago.com/209-701/000-012)



**Item no.: 209-701/000-017**  
WSB marking card; as card; not stretchable; plain; snap-on type

[www.wago.com/209-701/000-017](http://www.wago.com/209-701/000-017)



**Item no.: 209-701/000-023**  
WSB marking card; as card; not stretchable; plain; snap-on type

[www.wago.com/209-701/000-023](http://www.wago.com/209-701/000-023)



**Item no.: 209-701/000-024**  
WSB marking card; as card; not stretchable; plain; snap-on type

[www.wago.com/209-701/000-024](http://www.wago.com/209-701/000-024)

## Downloads

### Documentation

#### Bid Text

286-640	Jan 22, 2016	DOC	Download
Relaisbaustein		28.2 kB	

#### Additional Information

Disposal; Electrical and electronic equipment, Packaging	Oct 15, 2018		Download
		265.8 kB	

Subject to changes.

WAGO Corporation  
Germantown, WI 53022  
32423 Minden  
Phone: +49571 887-0 | Fax: (262) 255-6222  
Email: [info.us@wago.com](mailto:info.us@wago.com) | Web: [www.wago.com](http://www.wago.com)

Do you have any questions about our products?  
We are always happy to take your call at {0}.