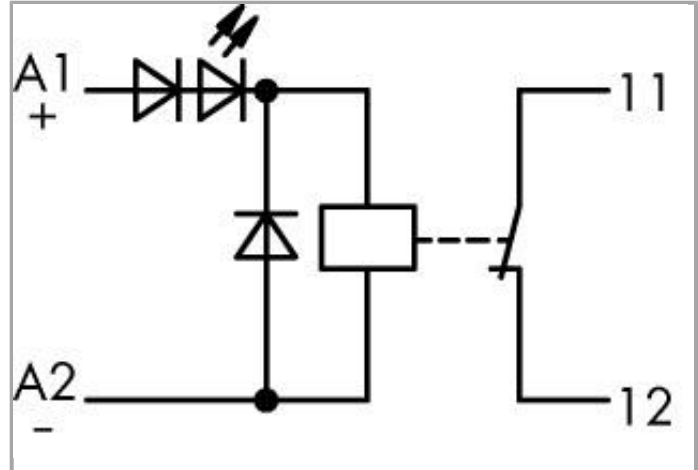


Data sheet | Item number: 286-368

Relay module; Nominal input voltage: 24 VDC; 1 break contact; Limiting continuous current: 5 A; Red status indicator; Module width: 10 mm



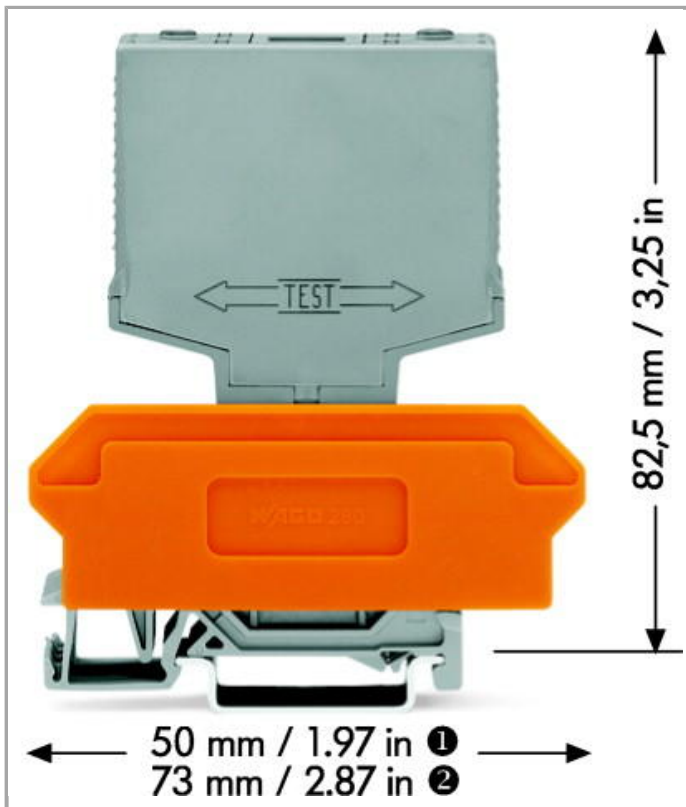
[www.wago.com/286-368](http://www.wago.com/286-368)



RoHS  Compliant

[BOMcheck.net](https://www.bomcheck.net)

Color: ■



## Data

## Technical Data

## Control circuit

Nominal input voltage $U_N$	24 VDC
Nominal input current at $U_N$	20.4 mA

## Load circuit:

Number of break contacts/switch off contacts	1
Contact material	AgNi
Limiting continuous current	5 A
Max. switching voltage	250 VAC
Max. switching power (resistive)	1250 VAAC
Pull-in time (typ.)	10 ms
Drop-out time (typ.)	4 ms
Bounce time (typ.)	3 ms
Electrical life (N.O.; resistive load; 23 °C)	$50 \times 10^3$ switching operations
Mechanical life (N.O.; resistive load; 23 °C)	$5 \times 10^6$ switching operations



## Signaling

Status indication	LED red
-------------------	---------

## Safety and protection:

Rated voltage	250 V
Rated impulse voltage	4 kV
Pollution degree	2
Dielectric strength, control/load circuit (AC, 1 min)	4 kV <sub>rms</sub>
Dielectric strength, control/load circuit (AC, 1 min)	4 kV <sub>rms</sub>
Degree of protection	IP20

## Geometrical Data

Width	10 mm / 0.394 inch
Height from upper-edge of DIN-35 rail	82.5 mm / 3.248 inch
Depth	52 mm / 1.654 inch

## Mechanical data

Type of mounting	Pluggable module for carrier terminal blocks
------------------	--

## Material Data

Color	gray
Weight	19.075 g

## Environmental Requirements

Pollution degree	2
------------------	---

## Standards and specifications

Standards/specifications	EN 60664-1
--------------------------	------------

## Commercial data

Country of origin	DE
GTIN	4045454384036
Product Group	6 (Interface Electronics)

## Compatible products

### General accessories

Item no.: 280-608



Terminal block for pluggable modules; 8-pole; with 4-conductor terminal blocks; with orange separator; [www.wago.com/280-608](http://www.wago.com/280-608) for DIN-rail 35 x 15 and 35 x 7.5; 2.5 mm<sup>2</sup>



**Item no.: 280-618**

Terminal block for pluggable modules; 4-pole; with 2-conductor terminal blocks; with orange separator; [www.wago.com/280-618](http://www.wago.com/280-618) for DIN-rail 35 x 15 and 35 x 7.5; 2.5 mm<sup>2</sup>



**Item no.: 280-762**

Terminal block for pluggable modules; 8-pole; with 4-conductor terminal blocks; with marker carrier; [www.wago.com/280-762](http://www.wago.com/280-762) with orange separator; for DIN-rail 35 x 15 and 35 x 7.5; 2.5 mm<sup>2</sup>

**Marking accessories**



**Item no.: 209-701**

WSB marking card; as card; not stretchable; plain; snap-on type

[www.wago.com/209-701](http://www.wago.com/209-701)



**Item no.: 209-701/000-002**

WSB marking card; as card; not stretchable; plain; snap-on type

[www.wago.com/209-701/000-002](http://www.wago.com/209-701/000-002)



**Item no.: 209-701/000-005**

WSB marking card; as card; not stretchable; plain; snap-on type

[www.wago.com/209-701/000-005](http://www.wago.com/209-701/000-005)



**Item no.: 209-701/000-006**

WSB marking card; as card; not stretchable; plain; snap-on type

[www.wago.com/209-701/000-006](http://www.wago.com/209-701/000-006)



**Item no.: 209-701/000-007**

WSB marking card; as card; not stretchable; plain; snap-on type

[www.wago.com/209-701/000-007](http://www.wago.com/209-701/000-007)



**Item no.: 209-701/000-012**

WSB marking card; as card; not stretchable; plain; snap-on type

[www.wago.com/209-701/000-012](http://www.wago.com/209-701/000-012)



**Item no.: 209-701/000-017**

WSB marking card; as card; not stretchable; plain; snap-on type

[www.wago.com/209-701/000-017](http://www.wago.com/209-701/000-017)



**Item no.: 209-701/000-023**

WSB marking card; as card; not stretchable; plain; snap-on type

[www.wago.com/209-701/000-023](http://www.wago.com/209-701/000-023)



**Item no.: 209-701/000-024**

WSB marking card; as card; not stretchable; plain; snap-on type

[www.wago.com/209-701/000-024](http://www.wago.com/209-701/000-024)

**Downloads**

**Documentation**

**Bid Text**

286-368

Relaisbaustein

Jan 22, 2016

DOC

26.6 kB

Download



**Additional Information**

Disposal; Electrical and electronic equipment, Packaging	Oct 15, 2018	Download
		265.8 kB

---

**CAD files**

**CAD data**

3D Download 286-368	URL	Download
---------------------	-----	----------

---

Subject to changes.