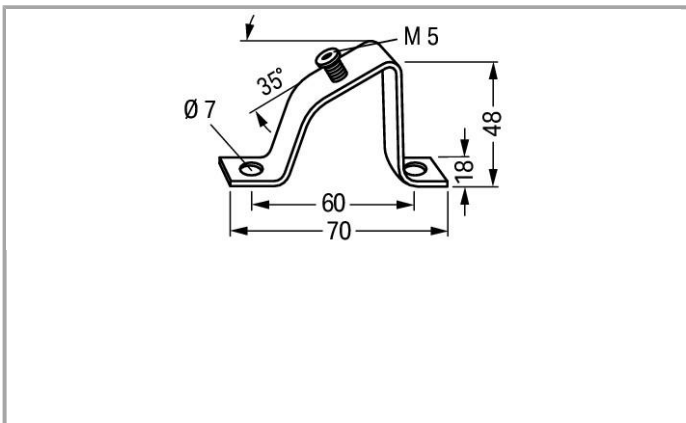


Data sheet | Item number: 210-148
Angled support bracket; without screw

www.wago.com/210-148



Data
Technical Data

Main product function

Mounting Accessories

Geometrical Data

Abmessungen B x H x T (mm)	(18 x 48 x 72) mm
Width	18 mm / 0.709 inch
Abmessungen B x H x T (inch)	(0.709 x 1.89 x 2.835) inch
Height	48 mm / 1.89 inch
Depth	72 mm / 2.835 inch

Material Data

Color	bluish, tinned, chromed, CR3
Weight	33 g

Commercial data

Country of origin	IT
GTIN	4017332277198
Product Group	2 (Terminal Block Accessories)

Compatible products

assembling



Item no.: 210-149
Screw M 5 x 8; for angled support bracket

www.wago.com/210-149

Downloads

Documentation

Bid Text

210-148	Oct 10, 2017	DOC 24.1 kB	Download
---------	--------------	----------------	----------

CAD files

CAD data

3D Download 210-148	URL	Download
---------------------	-----	----------



Subject to changes.

WAGO Corporation
Germantown, WI 53022
32423 Minden
Phone: +49571 887-0 | Fax: (262) 255-6222
Email: info.us@wago.com | Web: www.wago.com

Do you have any questions about our products?
We are always happy to take your call at {0}.